



HAMMER UNIONS - FIGURE 1502

C&C's Figure 1502 is offered in both NACE and non-NACE and is specifically designed to minimize fluid flow turbulence. The BUNA-N replaceable lip-type seal ring that provides this capability also provides a pressure seal and protection for the metal-to-metal seating surfaces. These unions are recommended for manifold, truck mounting, and other installations where extreme high pressure is encountered where working pressures do not exceed 15,000 PSI NSCWP.

* Interchangeable with other major manufacturers (see warnings on last page)

Specifications

- Sizes: 1" - 5"
 - NACE offering available in 2" and 3"
- Pressure Rating: 15,000 psi NSCWP
 - NACE derated to 10,000 psi
- End Connections: Threaded & Butt-Weld
 - Butt-Weld Schedules: 160 and XXH
- BUNA-N lip-type seal ring (-20°F to 250°F)
- Color Code:
 - Non-NACE: Red Subs / Blue Nut
 - NACE: Silver Subs / Green Nut

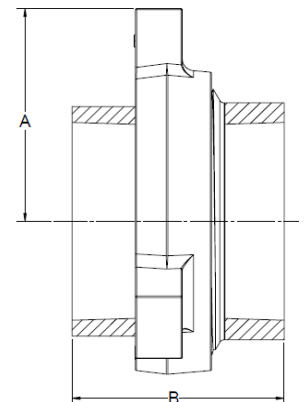
Standard Service		NACE Service	
NSCWP	Test	NSCWP	Test
15,000 psi	22,500 psi	10,000 psi	15,000 psi

*All working pressures are Non-Shock Cold Working Pressure Ratings (NSCWP) at ambient temperatures (-20°F to 100°F)



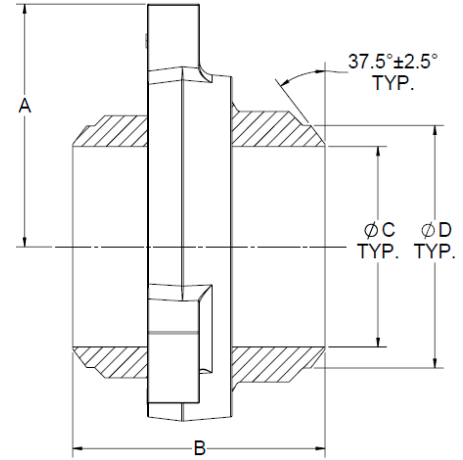
Threaded End Connections

Nominal Pipe Size	1"	1.5"	2"	2.5"	3"	4"
Part #	U150100	U151500	U150200	U152500	U150300	U150400
Material (Sub)	4130 AS	4130 AS	4130 AS	4130 AS	4130 AS	4130 AS
Material (Nut)	4140 AS	4140 AS	4140 AS	4140 AS	4140 AS	4140 AS
Clearance Radius (A)	3.00"	3.74"	3.74"	3.94"	4.50"	6.00"
End to End (B)	4.38"	4.52"	7.05"	7.26"	7.63"	8.50"
Approx. Weight (lbs)	9.1	19.2	20.0	22.6	34.7	76.0
Box Quantity	9	5	5	5	4	1



Butt Weld End Connections (Schedule XXH*)

Nominal Pipe Size	2"	3"	4"	5"
Part #	U150240	U150340	U150440	U150540
NACE Part #	U150240-SG	U150330SG	N/A	N/A
Material (Sub)	4130 AS	4130 AS	4130 AS	4130 AS
Material (Nut)	4140 AS	4140 AS	4140 AS	4140 AS
Clearance Radius (A)	3.74"	4.50"	6.00"	6.75"
End to End (B)	6.30"	5.25"	8.50"	9.00"
BW Sch XXH I.D. (ØC)	1.503"	2.300"	3.152"	4.063"
BW Sch XXH O.D. (ØD)	2.375"	3.500"	4.500"	5.563"
Approx. Weight (lbs)	20.0	30.0	84.0	96.0
Box Quantity	5	4	1	1



* Schedule 160 is available upon request

Full Hammer Union Offering

FIGURE #	COLOR CODING	PRESSURE RATING (psi)		NOMINAL PIPE SIZES																	
		Standard Service		0.5"	0.75"	1"	1.25"	1.5"	2"	2.5"	3"	4"	5"	6"	8"	10"	12"				
		NSCWP	Test																		
100		1,000	1,500																		
110		2,500 4,000	3,750 6,000																		
200		2,000	3,000																		
201		3,000	4,000																		
206		2,000	3,000																		
207		2,000	3,000																		
26H		400	800																		
211		2,000	3,000																		
300		2,000 2,500 12,500	3,000 3,750 18,750																		
301		3,000	4,500																		
400		4,000	6,000																		
602		6,000	9,000																		
607 (CGC)		6,000	9,000																		
1002		10,000	15,000																		
1003		7,500 10,000	11,250 15,000																		
1502		15,000	22,500																		

 **PRODUCT WARNINGS** 

Failure to follow these warnings could result in failure and possible personal injury, death, or property damage:

- C&C products should be used only by qualified, trained individuals experienced in the safe and proper handling of hammer unions and other couplings. Users must follow all applicable specifications and industry best practices for the safe installation and use of C&C products.
- Never exceed the recommended pressure rating or mix components with different pressure ratings, as mismatched components can lead to failure under pressure, resulting in death, personal injury, or property damage.
- Never strike, tighten, or loosen pressurized components or connections.
- Never exceed the non-shock cold rated pressure (NSCWP) of the product. Complete and proper assembly of all components and connections is essential in order to attain the rated NSCWP.
- Never use any worn, eroded, or corroded components or connections. If any component of the union or connection is worn, eroded, or corroded, replace immediately.
- Never strike hammer unions that have deformed or flattened lugs.
- Never use C&C products in suspension applications.
- Never expose standard service components or couplings to sour gas fluids. Do not interchange sour gas components or couplings with standard service components or couplings.
- Always use extra care when working with carbon steel products in temperatures below 32°F/0°C. Freezing temperatures lower the impact strength of carbon steel.
- Always take all appropriate safety precautions and wear all appropriate protective equipment when assembling, disassembling, installing, or removing any C&C product.
- Always immediately remove from service any component or coupling from which leakage is detected.
- Carefully select the appropriate component or coupling for your intended use.
- Our standard unions are not dual certified for sour service/NACE applications. If you need a union for sour service/NACE applications, please let us know when you place your order.
- * If other manufacturers' components are used interchangeably, CNC Flow Control does not assume liability.