




GROOVED END BALL VALVE

SERIES B | NACE STANDARD

The  **C&C** Series B Grooved End Ball Valve is designed to perform in harsh conditions and challenging oilfield service applications. By combining quality materials with a blowout proof stem, low operating torque, and high flow rates the Series B Grooved End Ball Valve provides cost effective fluid system control.



Specifications

- Sizes 2" – 6", Reduced port
- Pressure rated to 1000 PSI (NSCWP)
- 2 piece threaded, ductile iron design
- Stainless steel ball and stem
- NACE design is standard
- Blowout proof stem

Standards

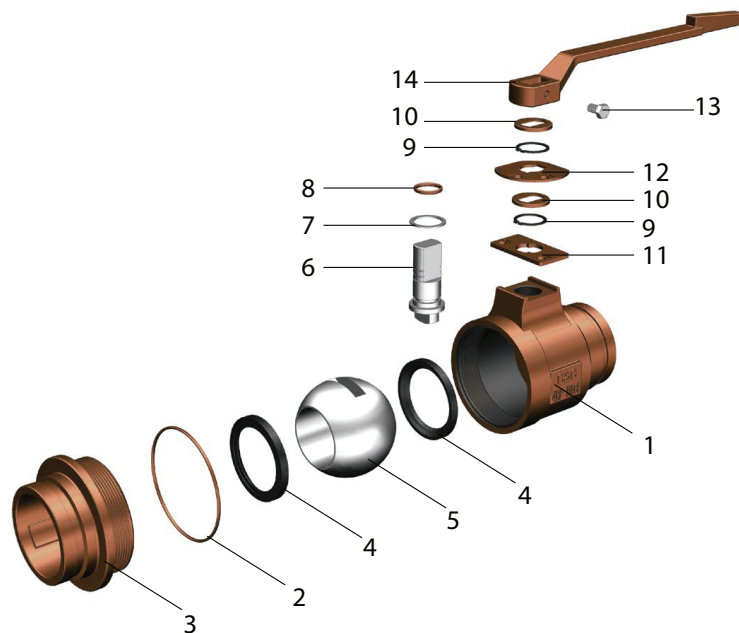
- **Materials:** NACE MR0175/ISO 15156-1
- **Design:** ASME BPVC, Section VIII, Div 1
- **Inspection & Testing:** API 598, EN 10204 3.1
- **Design Temp:** -20°F to 380°F (-29°C to 193°C)

Features

- Heavy duty ductile iron construction with stainless steel ball and stem.
- Durable and removable locking handle conserves space and prevents accidental operation.
- If lever is removed, double d stem can be operated using standard wrench.
- Integral locking device prevents unauthorized operation.
- Weather guard prevents corrosion, abrasion, and gauling of stem.
- Open/close position indicators engraved into lock plate.

Materials of Construction

Item	Component	Material
1	Body	A395 Ductile Iron
2	Body Seal	Viton® B
3	End Adapter	A395 Ductile Iron
4	Seat	Reinforced PTFE
5	Ball	A276 Stainless Steel
6	Stem	A276 Stainless Steel
7	Thrust Washer	PTFE
8	Stem Seal	Viton® B
9	Snap Rings	Spring Steel
10	Weather Guards	Polyethylene
11	Stop Plate	Carbon Steel
12	Lock Plate	Carbon Steel
13	Handle Screw	Carbon Steel
14	Handle	A395 Ductile Iron



Dimensions

Size	NSWCP (psi)	Dimensions (in)							Weight (lb)	Cv
		A	ØB	Ød	ØE	ØF	G	H		
2 x 1.5	1000	5.13	3.35	1.50	2.25	2.38	8.54	4.89	7.2	140
3 x 2	1000	7.31	4.33	2.00	3.34	3.50	10.00	5.64	15.8	200
4 x 3	1000	8.75	6.06	3.00	4.33	4.50	15.00	7.38	33.1	550
6 x 4	500	10.10	7.50	3.94	6.46	6.63	20.00	8.09		800

