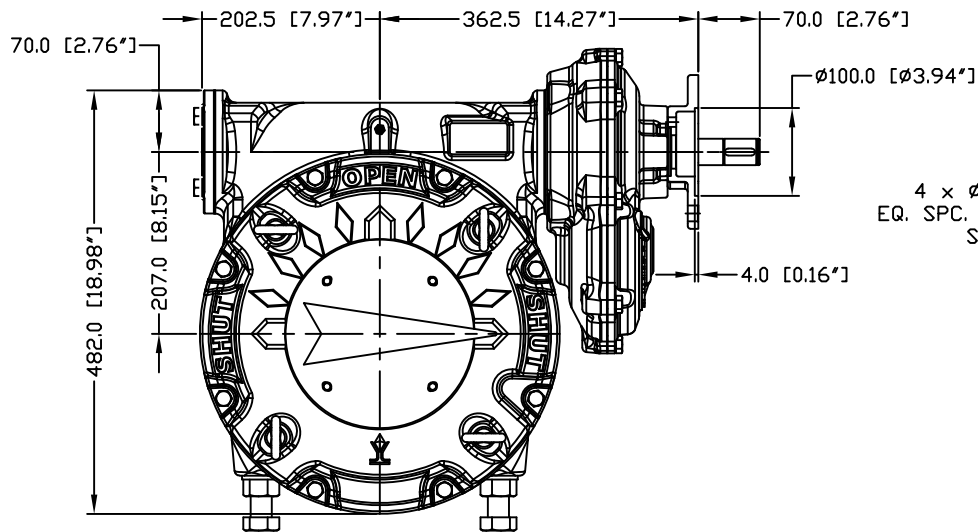
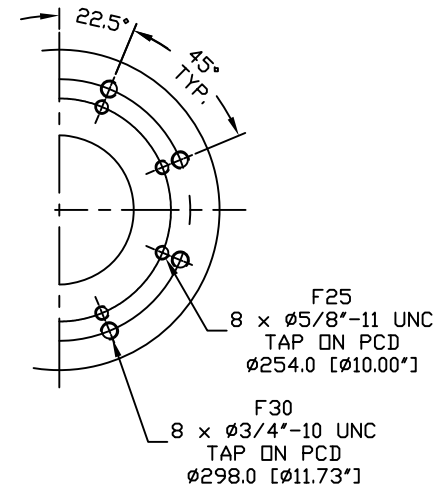
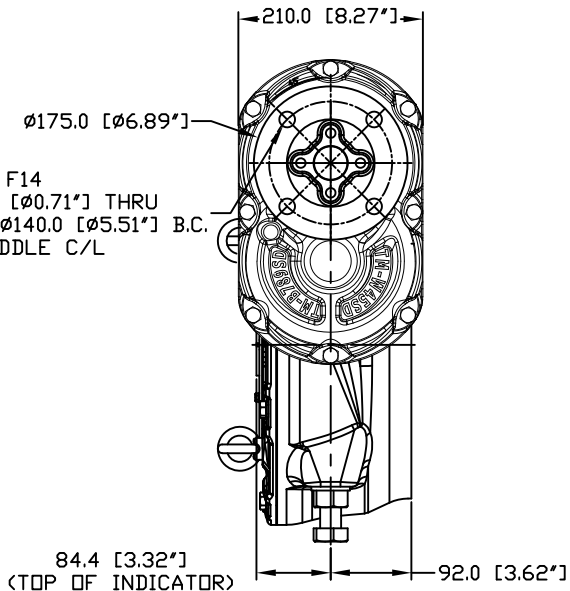


DIAMOND GEAR

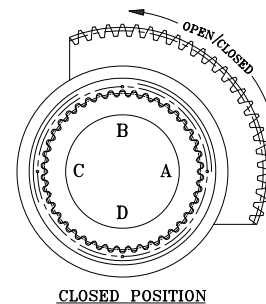
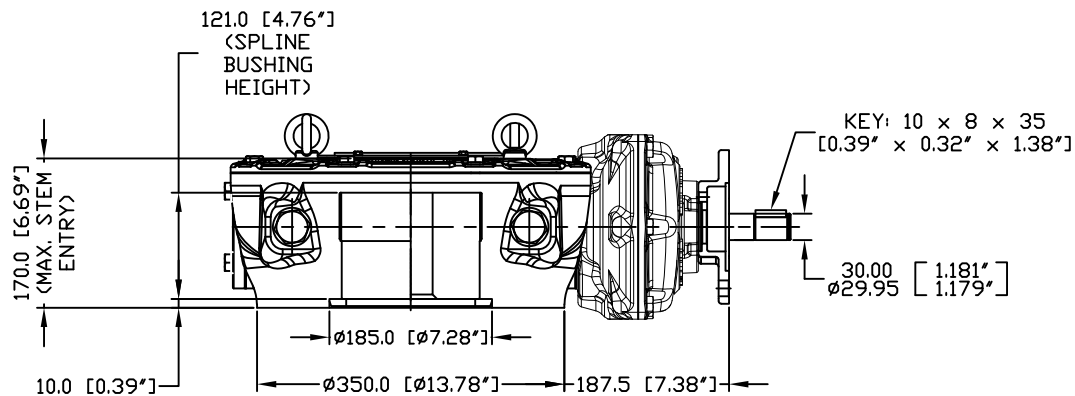
230WG558



F14
4 x $\phi 18.0$ [$\phi 0.71$] THRU
EQ. SPC. ON $\phi 140.0$ [$\phi 5.51$] B.C.
STRADDLE C/L



Standard Mounting Flange For Valve ISO F25 & F30



HW DIA.	RIM PULL AT MAX. I/P TORQUE (Lbs.)
28"	118

REV.0

C921244A 1/25/19

UNITS: MM [Inches]

MAX. OUTPUT TORQUE [IN.LB]	MAX. INPUT TORQUE [IN.LB]	RATIO	MECHANICAL ADVANTAGE	OUTPUT ANGULAR STROKE	TURN PER 90°	WEIGHT [LB]	MAX. ROUND BORE [IN.]	MAX. SQUARE BORE [IN.]	STANDARD MOUNTING STRADDLE C/L
230,200	1650	558:1	139.5	±20°	139.5	379	$\phi 4.75$ " Key: 1-1/4"x7/8"	3.875	F25 & F30

CNC FLOW CONTROL
 HOUSTON, TEXAS, USA
 PHONE: 713-466-1644, FAX: 713-466-1715