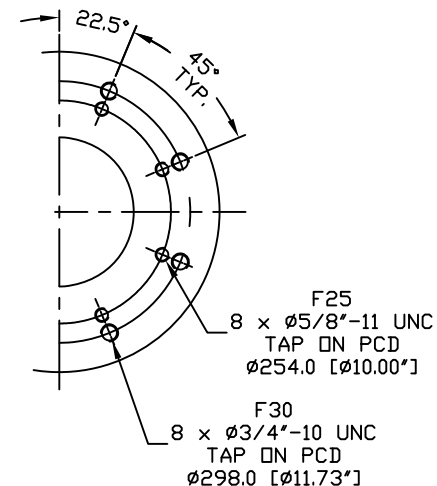
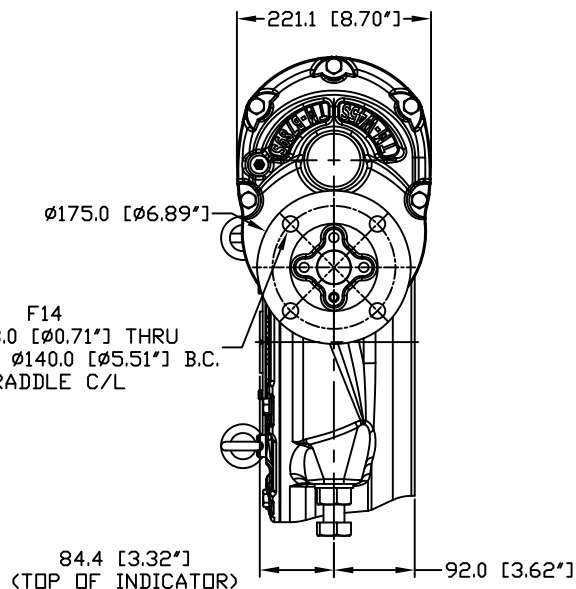
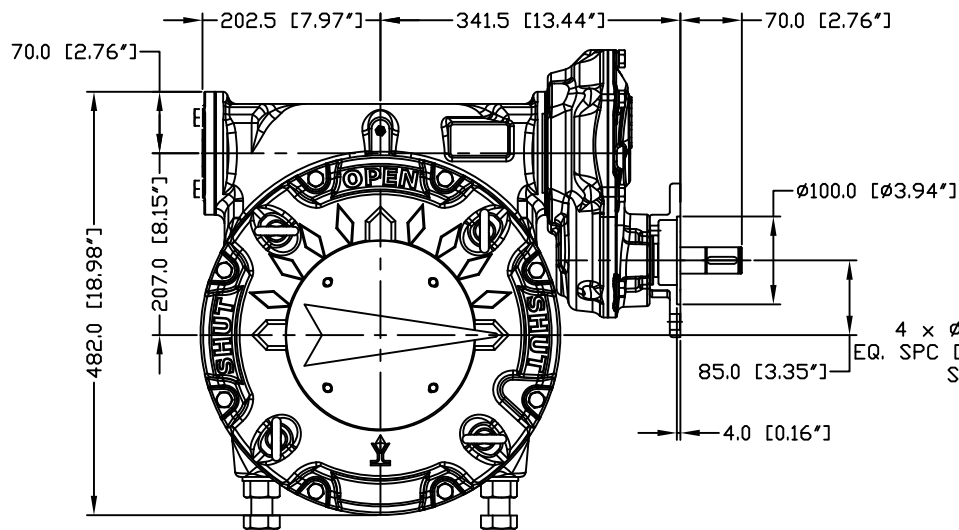
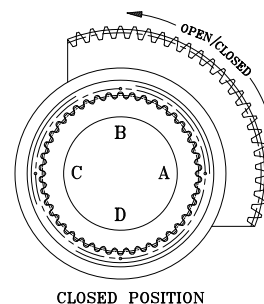
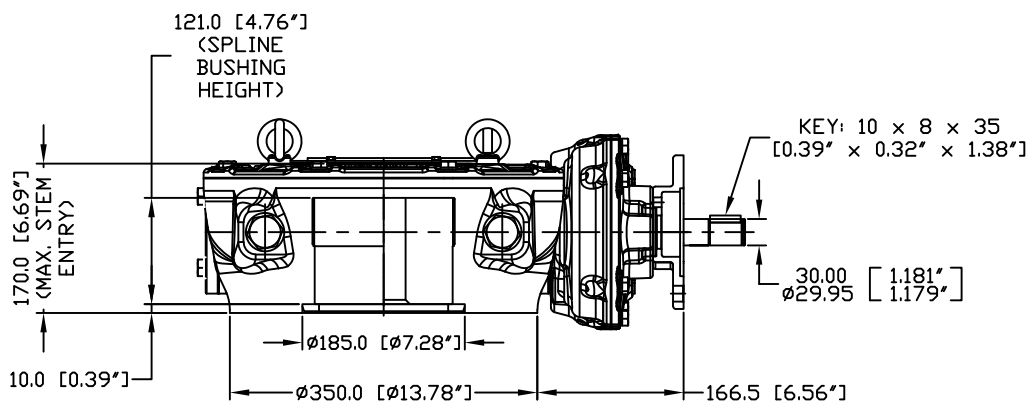


DIAMOND GEAR

230WG186



Standard Mounting Flange For Valve ISO F25 & F30



HW DIA.	RIM PULL AT MAX. I/P TORQUE (Lbs.)
28"	295

REV.0

C921243A

1/25/19

UNITS: MM [Inches]

MAX. OUTPUT TORQUE [IN.LB]	MAX. INPUT TORQUE [IN.LB]	RATIO	MECHANICAL ADVANTAGE	OUTPUT ANGULAR STROKE	TURN PER 90°	WEIGHT [LB]	MAX. ROUND BORE [IN.]	MAX. SQUARE BORE [IN.]	STANDARD MOUNTING STRADDLE C/L
230,200	4125	186:1	55.8	±20°	46.5	346	ø4.75" Key: 1-1/4"x7/8"	3.875	F25 & F30



CNC FLOW CONTROL
HOUSTON, TEXAS, USA



PHONE: 713-4661644, FAX: 713-4661715